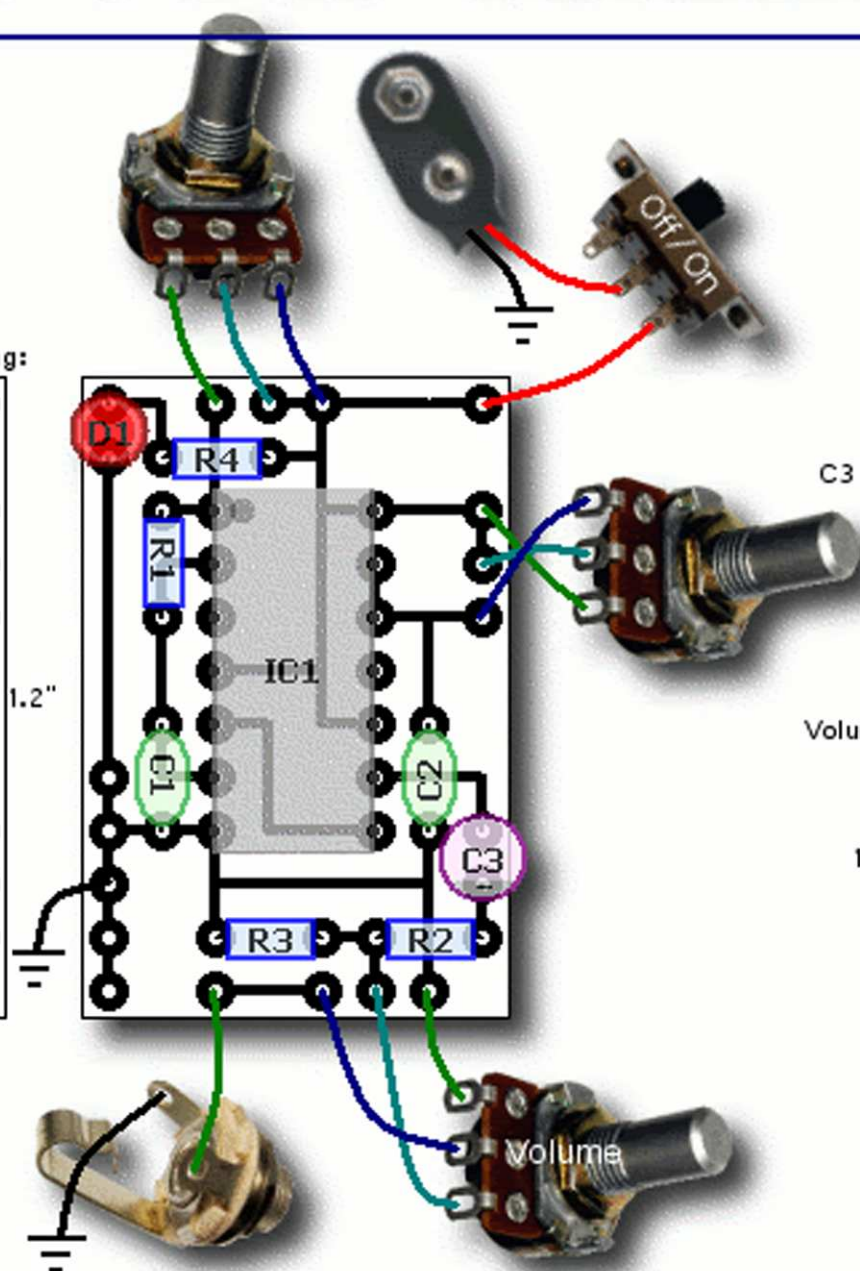
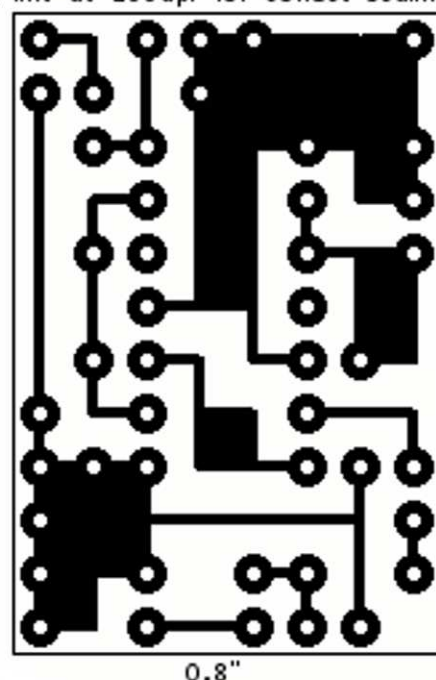


Atari Punk Console

Print at 200dpi for correct scaling:



Components:

R1 - 1K

R2 - 10K

R3 - 4.7K

R4 - 1K

C1 - 10nF

C2 - 100nF

C3 - 10uF electro

IC1 - LM556

500K lin

500K lin

Volume - 100K log

LED

1/4" Mono Jack

SPST switch

9V Battery Clip

Layout ©2006 Matthew Helm, www.geocities.com/wortheik

Original circuit by Forrest M. Mims, III

For personal, non-profit use only.